



THERMOSTATS FOR COMFORT HEATING

The complete heating system from OJ - Now remote controlled with new app.

The Comfort System4™ with a Gateway solution is a simple way of ensuring comfort in your house, while obtaining good cost efficiency.

MSW4 is a gateway between the Comfort System4™ and a WiFi router. With this solution, you can control heating via PC, tablet or smartphone regardless of whether you are home or away.

The user friendly interface makes it very easy to change the temperature, adjust setback times, extend the comfort period or activate frost protection, holiday or auto mode. The solution is system independent and works on all platforms.

With the Comfort System4™, you get the most comprehensive heating control programme on the market. With the gateway for remote control, the thermostats becomes even easier to operate.

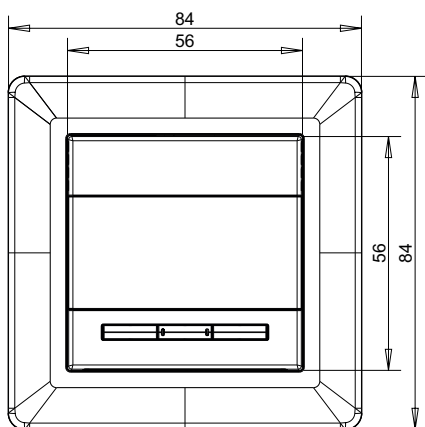
- Control your floor heating with the new app from OJ.
- Via any smartphone, tablet, PC or MAC.
- Easy to change temperature.
- Select Frost protection mode.
- Select Holiday mode.
- Easy change of heating and setback periods.

All whats needed is in the box:

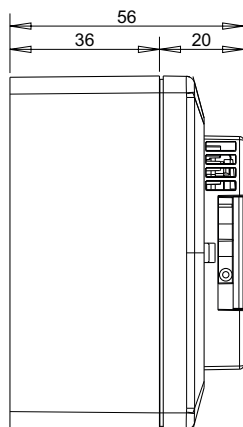
- Wall mounted gateway
- Powersupply
- Ethernet cable

PRODUCT PROGRAMME

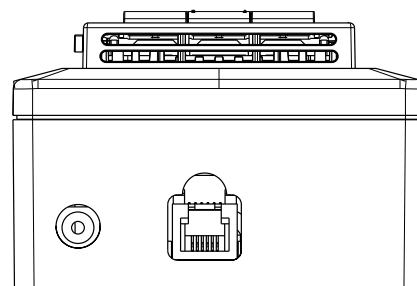
TYPE	PRODUCT
MSW4-10	Gateway to remote control the heating system, CS4™ comes complete with power supply and Cat. 5 cable (0.5 m) to connect to local router.
CS4™	Comfort System4™ Complete Central Control System, wireless Controller* and Thermostats.



Wireless two-way contact.



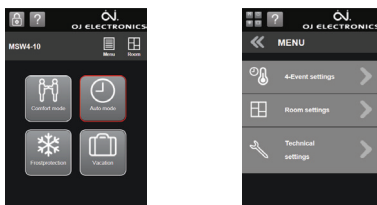
BR1008A02



BR1008A03

USER INTERFACE

The user friendly interface provides intuitive access to multiple features in the Comfort System4™.



Comfort mode

Set a temporary comfort temperature (so-called party mode) for all rooms.

Auto mode

Automatic temperature control via the 4-event schedule for all rooms.

Frost mode

Maintain a minimum temperature for frost protection for all rooms.

Holiday mode

Lower the temperature in all rooms for a specific period to save energy, e.g. if the house is uninhabited for a period of time.

Menu

The menu allows you to change the settings for 4-Event, rooms and technical adjustment.

Room overview

Provides an overview and allows you to control the individual rooms in the Comfort System4™.

COMFORT SYSTEM4™

The Comfort System4™ is a complete heating system which is easy and fast to install. The system can control heating cables and is equally suitable for new constructions and refurbishments as for heating control in holiday homes. The system consists of four different units communicating wirelessly with each other. The central controller can control up to 32 thermostats for underfloor heating. The system is very user friendly and ensures maximum comfort with minimum energy consumption.

MOUNTING OF THE GATEWAY

The gateway is designed for wall mounting and is connected to the router by means of a cat 5 cable to access the WiFi system and the internet. The contact between the gateway and the Central Controller in the Comfort System4™ is wireless.

When the heat is controlled via the internet, the router in the system must be "open" for communication from outside and in the system. The gateway communicates on port 80. The system must be attached to a dynamic DNS server or have a static IP address.

TECHNICAL DATA

Supply voltage	9 VDC
	Via 230 VAC ± 10% , 50 Hz Adapter
Standby power	2,3 W
Ethernet cable	Cat.5
RF frequency band	868.3 MHz
RF transmission range	100 m open range
Ambient temperature	0-40°C
Housing	IP20 (Only as complete unit)
Overvoltage	Cat. II
Dimensions (H x W x D)	84 x 84 x 58 mm
Display	25 x 38 mm, segment
EU registered design	001534462-0001/2
	According to EN 60730-2-9

*CS4™, Central Controller must have software version 1.12 or newer to communicate with the Gateway.

